

# USER'S OPERATING MANUAL FOR DIGITAL TEMPERATURE CONTROLLER

(Models: AI 5482 / 5882 / 5782 / 5982 / 5682)



## SPECIFICATIONS :-

1. **DISPLAY TYPE** : Dual 4- Digit 7 segment LED  
4 Digit Bright Red (PV)  
4 Digit Luminous Red (SV)

Model no.	AI-5482	AI-5882	AI-5782	AI-5682	AI-5982
Display height (PV)	0.28"	0.39"	0.56"	0.39"	0.56"
Display height (SV)	0.28"	0.39"	0.39"	0.39"	0.56"

- STATUS LED'S** : OP1 : Main Control Output  
OP2 : Alarm Status  
SOAK : Soak Timer

2. **INPUT SENSOR** : TC:J,K,R,S & RTD: Pt-100  
**Range** : Refer below table

Sensor Type	Range	Resolution	Accuracy
Fe-k(J) T/C	0 ~ 760°C	1 °C	± 1 °C
Cr-AL(K) T/C	-99 ~ 1300°C	1 °C	
(R) T/C	0 ~ 1700°C	1 °C	
(S) T/C	0 ~ 1700°C	1 °C	
Pt-100(RTD)	-100 ~ 450°C	1 °C	± 0.3 °C
Pt-100(RTD 0.1)	-99.9 ~ 450.0°C	0.1 °C	

- Sampling Time** : 125 msec.  
**Resolution** : 1°C/0.1°C(Only for RTD)  
**CJC for TC** : Built in automatic  
**LWC for Pt-100** : Built in up to 18E max.  
**Digital Filter** : 1 to 10 Sec.

3. **RELAY OUTPUT**  
**Contact type** : N/O, CM, N/C  
**Contact Rating** : 5A @ 250VAC or 30 VDC  
**Life expectancy** : > 5,00,000 operations  
**Isolation** : Inherent

4. **SSR DRIVE OUTPUT**  
**Drive Capacity** : 12V @ 30mA.  
**Isolation** : Non-Isolated.

5. **FUNCTION**  
**Output 1** : Main Control output  
**Output 2** : Programmable  
1) Auxiliary control  
2) Alarm  
3) Soak timer

- Control Action** : ON-OFF/T.P (Select)  
**Control Mode** : Heat/Cool (Select)  
**Compliance** : ----

6. **ENVIRONMENTAL**  
**Operating Range** : 0 ~50°C, 5~90% Rh  
**Storage Humidity** : 95% Rh (Non-condensing)

7. **POWER SUPPLY**  
**Supply Voltage** : 90~270VAC, 50/60Hz.  
**Consumption** : 4W Maximum.

8. **PHYSICAL**  
**Housing** : ABS Plastic.

Model no.	AI-5482	AI-5882	AI-5782	AI-5682	AI-5982
Weight (gms.)	130	200	200	200	240

## SAFETY INSTRUCTION :

This controller is meant for temperature control applications. It is important to read the manual prior to installing or commissioning of controller. All safety related instruction appearing in this manual must be followed to ensure safety of the operating personnel as well as the instrument.

## GENERAL

- ❖ The controller must be configured correctly for intended operation. Incorrect configuration could result in damage to the equipment or the process under control or it may lead personnel injury.
- ❖ The controller is generally part of control panel and in such a case the terminals should not remain accessible to the user after installation.

## MECHANICAL

- ❖ The Controller in its installed state must not come in close proximity to any corrosive/combustible gases, caustic vapors, oils, steam or any other process by-products.
- ❖ The Controller in its installed state should not be exposed to carbon dust, salt air, direct sunlight or radiant heat.
- ❖ Ambient temperature and relative humidity surrounding the controller must not exceed the maximum specified limit for proper operation of the controller.
- ❖ The controller in its installed state must be protected against excessive electrostatic or electromagnetic interferences. Ventilation holes provided on the chassis of the instrument are meant for thermal dissipation hence should not be obstructed in the panel.

## ELECTRICAL

- ❖ The controller must be wired as per wiring diagram & it must comply with local electrical regulation.
- ❖ Care must be taken not to connect AC supplies to low voltage sensor input.
- ❖ Circuit breaker or mains s/w with fuse (275V/1A) must be installed between power supply and supply terminals to protect the controller from any possible damage due to high voltage surges of extended duration.
- ❖ Circuit breaker and appropriate fuses must be used for driving high voltage loads to protect the controller from any possible damage due to short circuit on loads.
- ❖ To minimize pickup of electrical noise, the wiring for low voltage DC and sensor input must be routed away from high current power cables. Where it is impractical to do this, use shielded ground at both ends.
- ❖ The controller should not be wired to a 3-Phase supply with unearthed star connection. Under fault condition such supply could rise above 264 VAC which will damage the controller.
- ❖ The Electrical noise generated by switching inductive loads might create momentary Fluctuation in display, alarm latch up, data loss or permanent damage to the instrument. To reduce this use snubber circuit across the load.
- ❖ It is essential to install a over Temp. Protection device to avoid any failure of heating system. Apart from spoiling the product, this could damage the process being controlled.

**⚠ CAUTION:** To prevent the risk of electrical shock, switch off the power before making/removing any connection or removing the controller from its enclosure.

## MECHANICAL INSTALLATION

The label on the controller identifies the serial number, wiring connections and batch number.

### OVER ALL DIMENSIONS & PANEL CUT OUT (IN MM)

MODEL:-AI-5482/5782/5982

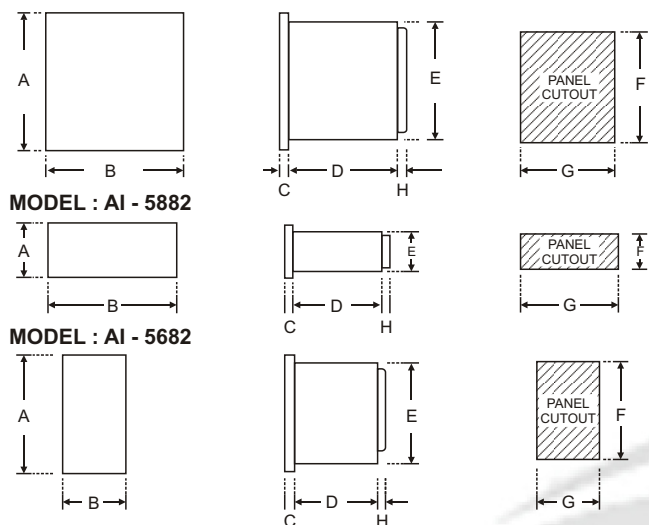


TABLE : 1

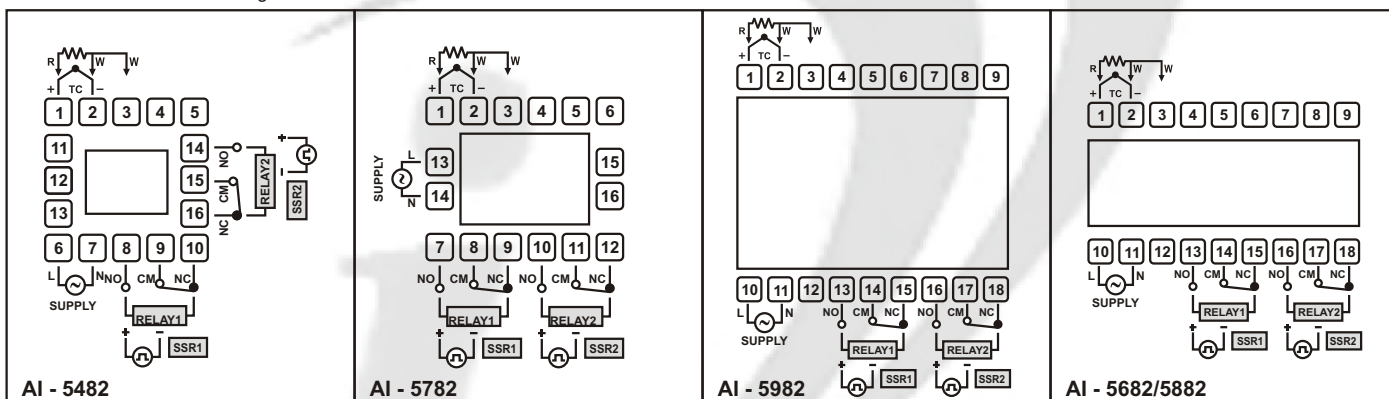
Dim Model	A	B	C	D	E	F	G	H
AI-5482	48	48	8	110	43	44	44	9
AI-5782	72	72	10	65	66	68	68	9
AI-5982	96	96	10	65	89	92	92	9
AI-5882	48	96	10	110	43	44	92	9
AI-5682	96	48	10	110	89	92	44	9

## INSTALLATION GUIDELINES

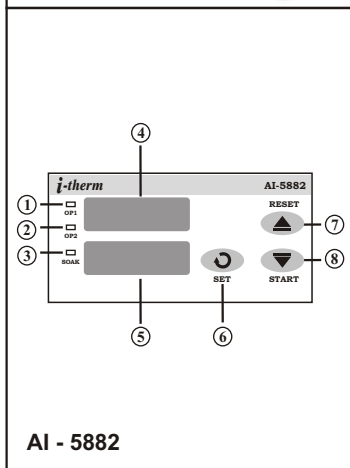
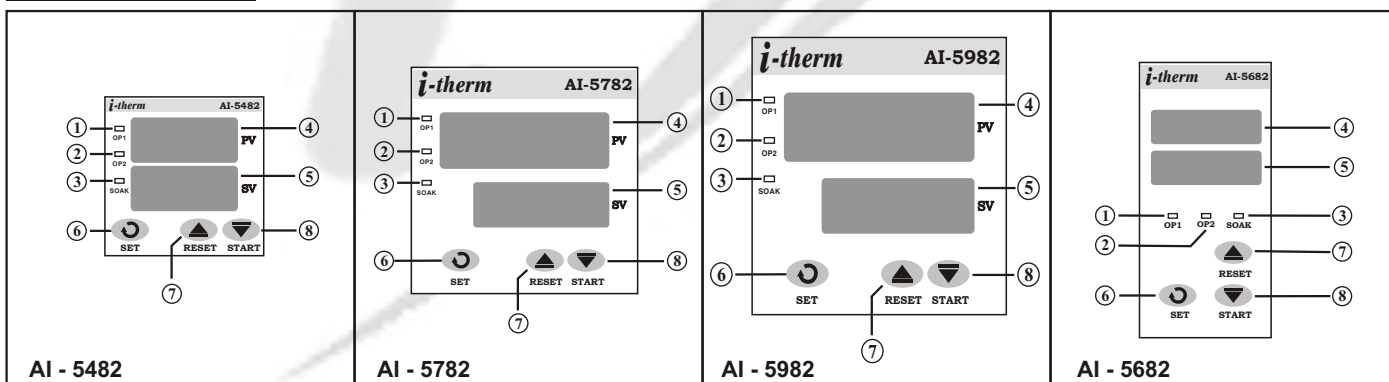
1. Prepare the cut-out with proper dimension as shown in figure.
2. Remove clamp from controller.
3. Push the controller through panel cut-out and secure the controller in its place by tightening the side clamp.

## ELECTRICAL INSTALLATION

The electrical connection diagram is shown on the controller enclosure as below.



## FRONT PANEL LAYOUT



NO.	NAME	FUNCTION
1	OP1 LED	Glows when OP1 is ON & flashes when delay time (dly1) is in operation(if selected mode is ON-OFF)
2	OP2 LED	Glows when OP2 is ON & flashes when alarm condition persists even after acknowledged. or delay time (dly2) is in operation(if selected mode is ON-OFF).
3	SOAK LED	Glows when Soak mode is selected & flashes when Soak timer is in operation.
4	UPPER DISPLAY	It will display (1) Measured value of selected input or Error messages in run mode. (2) Parameters Value in program mode.
5	LOWER DISPLAY	It will display (1) SP (Main set point) / SP2 (Auxiliary/Alarm) set value / Set Soak time value/ balance or elapsed soak time in run mode. (2) Parameter code in program mode.
6	SET KEY	(1) For SP programming. (2) To access Control mode. (3) To access Configuration mode along with UP key. (4) To scroll the parameter & to store its value.
7	UP KEY	(1) To increase/alter parameter value in program mode. (2) To Enter in configuration mode (with SET key). (3) To acknowledge Alarm. (4) To enter in manual reset mode (with DOWN KEY)
8	DOWN KEY	(1) To decrease / alter parameter value in program mode. (2) To enter in manual reset mode (with UP Key). (3) To start Soak timer.

## POWER UP:

At power on, following sequence will be prompted on the display till it reaches to Home Display mode.



In home display mode, by pressing DOWN key, user can view SP1 & SP2 value (if OP2 = AUXILIARY or ALARM mode) OR Timer value (if OP2 = soak mode). By pressing UP key, user can view the parameter code (SP1/SP2/SOAK TIME) of respective set value. If soak time is in operation, lower display will show either elapsed time(E.tmr) if stdr=up or balance time (r.tmr), if stdr=dn.

## PROGRAMMING :

**USER LIST :** To access User list press SET key once.

PARA METER	LOWER DISPLAY	UPPER DISPLAY	RANGE	DESCRIPTION	DEFAULT
CONTROL SET POINT	SP1	0	LSPL - HSPL	User can change SP1 value using UP/ DOWN keys. Holding the key, will change the value at a faster rate. Press SET key to store the desired value & move on to the next parameter.	0°C
SET POINT 2	SP2	0	(1) LSPL - HSPL (2) -99 to 99 °C (3) 2 to 99 °C	This parameter is prompted only if output 2 is configured as... (1) Either absolute auxiliary control or as an alarm (High/Low) mode. (2) Either deviation auxiliary control or as a deviation alarm mode. (3) As a band alarm (For all above Sp2 has to be enable)	0°C
SOAK TIME	St.tn	00.30	1min. to 999 min.	This parameter is prompted only if Output 2 is configured for soak timer application.	1 min.

**CONTROL LIST :** To enter in this mode, press SET & DOWN key simultaneously for 3 sec. User can then set the following control parameters.

PARA METER	LOWER DISPLAY	UPPER DISPLAY	RANGE	DESCRIPTION	DEFAULT
LOCK CODE	LOCK	0	1 ~ 9999	Set this parameter to 15 (Default LOCK CODE) to access Control List. User has a choice to set different Lock Code via USER LOCK CODE in Config. List.	0
PROPORTIONAL BAND	Pb	5.0	0.5 to 99.9°C	This parameter will be prompted only if selected control action is PID. It sets bandwidth over which the output power is adjusted depending upon the error (SV-PV). The value of this parameter is automatically set by Auto tune function.	5.0°C
CYCLE TIME	CYCL	16.0	0.5 to 100.0 Sec.	This parameter will be prompted only if selected control action is PID. User can set this value based on process being controlled & type of output being selected. For Relay O/P, cycle time should be more than 12sec & for SSR O/P, cycle time should be less than 10sec.	16.0 Sec.
CONTROL HYS.	HY1	2	1 to 25 °C	This parameter will be prompted only if selected control action is ON-OFF. It sets the dead band between ON & OFF switching of the output. Larger value of hysteresis minimize the number of ON-OFF operation to the load. This increases the life of actuators like contactors but also produces large errors (between PV & SV)	2°C
DELAY 1	dLY1	0	0 to 500 Sec.	This parameter will be prompted only if selected control action is ON-OFF. It sets the main output restart time where o/p once turned off will turn ON only after restart time, regardless difference between PV & SP in Heat or Cool mode. If set to '0'; o/p will be switched without delay. Delay will be applicable also in case of every power ON.	120 Sec.
HYS. 2	HY2	2	1 to 25 °C	This parameter will be prompted only if selected control mode for output2 is auxiliary control or an alarm. The value of this parameter sets the dead band between on and off switching of output load.	2°C
DELAY 2	dLY2	0	0 to 500 Sec.	This parameter will be prompted only if output 2 is configured as an auxiliary control output. In this mode, output once turned off will restart only after set time regardless of the difference between PV and SP2. The time delay is settable up to 500 seconds. If time delay is set to 0, there is no delay executed between output switching.	0 Sec.
SOAK TIME DELAY	St.dL	10	0 to 99 Sec.	This parameter will be prompted only if selected control mode for output2 is Soak timer. Depending on end of soak strategy selected by user; the value of this parameter sets the activation time for OP2 when Soak timer is over. Setting this parameter to 0 will make OP2 continuously ON at the end of Soak time till user starts the next cycle.	10 Sec.
Manual Reset mode	SPOF	n0	-25 to 25 °C	This parameter will appear only if selected C.A is time proportional. (For more details, refer User guide.)	0 °C

## CONFIGURATION LIST :

- (1) To enter in this mode, Press and hold SET & UP key simultaneously for 3 sec.
- (2) Press UP or DOWN key to scroll between parameter options.
- (3) Press SET key to store the current parameter & move on to the next parameter.

PARAMETER	LOWER DISPLAY	UPPER DISPLAY	DESCRIPTION	DEFAULT																										
LOCK CODE	LOCK	0	Set this parameter to 15 (Default LOCK CODE) to access Config. List. User has a choice to set different Lock Code via USER LOCK CODE in Config. List.	0																										
INPUT TYPE	InPt	tc-J	This parameter value is set according to the type of sensor (Thermocouple or RTD Input) connected to the Controller's Input Terminals.	J																										
		tc-P																												
		tc-r																												
		tc-S																												
		rtd																												
		rtd.1																												
		<table border="1"> <thead> <tr> <th>Sensor Type</th> <th>Range</th> <th>Resolution</th> <th>Accuracy</th> </tr> </thead> <tbody> <tr> <td>Fe-k(J) T/C</td> <td>0 ~ 760°C</td> <td>1 °C</td> <td rowspan="4">± 1 °C</td> </tr> <tr> <td>Cr-AL(K) T/C</td> <td>-99 ~ 1300°C</td> <td>1 °C</td> </tr> <tr> <td>(R) T/C</td> <td>0 ~ 1700°C</td> <td>1 °C</td> </tr> <tr> <td>(S) T/C</td> <td>0 ~ 1700°C</td> <td>1 °C</td> </tr> <tr> <td>Pt-100(RTD)</td> <td>-100 ~ 450°C</td> <td>1 °C</td> <td rowspan="2">± 0.3 °C</td> </tr> <tr> <td>Pt-100(RTD 0.1)</td> <td>-99.9 ~ 450.0°C</td> <td>0.1 °C</td> </tr> </tbody> </table>			Sensor Type	Range	Resolution	Accuracy	Fe-k(J) T/C	0 ~ 760°C	1 °C	± 1 °C	Cr-AL(K) T/C	-99 ~ 1300°C	1 °C	(R) T/C	0 ~ 1700°C	1 °C	(S) T/C	0 ~ 1700°C	1 °C	Pt-100(RTD)	-100 ~ 450°C	1 °C	± 0.3 °C	Pt-100(RTD 0.1)	-99.9 ~ 450.0°C	0.1 °C		
		Sensor Type			Range	Resolution	Accuracy																							
Fe-k(J) T/C	0 ~ 760°C	1 °C	± 1 °C																											
Cr-AL(K) T/C	-99 ~ 1300°C	1 °C																												
(R) T/C	0 ~ 1700°C	1 °C																												
(S) T/C	0 ~ 1700°C	1 °C																												
Pt-100(RTD)	-100 ~ 450°C	1 °C	± 0.3 °C																											
Pt-100(RTD 0.1)	-99.9 ~ 450.0°C	0.1 °C																												
LOWER SET POINT LIMIT	LSPL	0	Sets the minimum limit for set point adjustment. It can be set from minimum specified range of selected sensor to HSPL value.	0 °C																										
HIGHER SET POINT LIMIT	HSPL	400	Sets the maximum limit for set point adjustment. It can be set from LSPL value to maximum specified range of selected sensor.	400 °C																										
PROCESS VALUE OFFSET	OFSt	0	Function of this parameter is to add/subtract a constant value to the measured PV to obtain the final PV for control applications. This parameter value can be altered : (i) To compensate for known thermal gradient (ii) To match the display values with another recorder or indicator measuring the same PV.	0 °C																										
INPUT FILTER	FLtr	1	The controller is equipped with an adaptive digital filter which is used to filter out any extraneous pulses on the PV. The filtered PV Value is used for all PV dependent functions. If the PV signal is fluctuating due to noise, increase the filter time constant value.	1 °C																										
CONTROL MODE FOR O/P 1	mode	tp OnOFF	User can select between TP or ON-OFF action algorithm to be adopted for output.	PID																										
CONTROL LOGIC FOR O/P 1	OP1L	HEAt	This parameter will appear only if selected control mode is ON-OFF. User can select heating logic in which OP1 will remain ON till PV < SP. (PV increases when output is ON.)	HEAT																										
		COOL	This parameter will appear only if selected control mode is ON-OFF. User can select cooling logic in which OP1 will remain ON till PV > SP. (PV decreases when output is ON.)																											
OUTPUT 2 FUNCTION	OP2	AUCn	This parameter allow the user to select output 2 as an 'Auxiliary' control. For options refer Table 3.	Auxiliary																										
		ALrñ	This parameter allow the user to select output 2 as an 'Alarm' control. For options refer Table 4.																											
		tñr	This parameter allow the user to select output 2 as a 'Soak timer' mode.																											

**TABLE 3 :**

Below listed options will appear only if OP2 is selected as an Auxiliary control mode.

PARAMETER	LOWER DISPLAY	UPPER DISPLAY	DESCRIPTION	DEFAULT
INPUT TYPE	SP2	ABS	If selected, User can set SP2 value independently, irrespective of SP1.	Abs
		dEun	In this mode SP2 is always related with SP1. User can set SP2 value with deviation of ± 99°C w.r.t SP1.	
OUTPUT 2 LOGIC	OP2.L	HEAT	User can select Heat logic for control Output 2 in which OP2 will remain ON till PV < SP (PV increases when output is ON).	Heat
		COOL	User can select Cool logic for control Output 2 in which OP2 will remain ON till PV > SP (PV decreases when output is ON).	
SET POINT 1	SP1	Enbl	If Enabled, User can View & edit the Set point (SP1) in USER list.	ENABLE
		dSbl	If disabled, User can not View or edit Set Point (SP1) in USER list.	
SET POINT 2	SP2	Enbl	If Enabled, User can View & edit the Set point (SP2) in USER list.	ENABLE
		dSbl	If disabled, User can not View or edit Set Point (SP2) in USER list.	
USER LOCK CODE	U.LOC	15	Default USER LOCK CODE is 15 to access Control & Configuration List. User has a choice to set its own USER LOCK CODE between 1 to 9999, this is to prevent unauthorized access of Control & Configuration List.	15

**TABLE 4 :**

Below listed parameters will appear only if OUTPUT 2 is selected as ALARM mode. In ALARM mode, Controller continuously compares PV with either SP (for Deviation or Band alarm) or an independent ALARM SP2 (for process high and process low Alarm). Alarm will occur when PV falls outside the set Alarm limits. Also, OP2 will energize or de-energize under Alarm condition as per the Alarm logic(AL.LG) selected. HYS2 in Control list decides when to switch OFF the Alarm. Instrument supports four types of Alarm as described below : -

PARAMETER	LOWER DISPLAY	UPPER DISPLAY	DESCRIPTION	DEFAULT
ALARM TYPE	ALty	LOy	<p><b>Low Alarm</b> : OP2 activates when PV &lt; SP2.</p> <p>(Direct acting) (Reverse acting)</p>	DEVIATION
		HIGH	<p><b>High Alarm</b> : OP2 activates when PV &gt; SP2.</p> <p>(Direct acting) (Reverse acting)</p>	
		dEun	<p><b>Deviation Alarm</b> : OP2 activates when PV exceeds SP1 ± set deviation value.</p> <p>(Direct acting) (Reverse acting)</p>	
		band	<p><b>Band Alarm</b> : OP2 activates when PV falls outside the band w.r.t. SP1 in either direction.</p> <p>(Direct acting) (Reverse acting)</p>	

ALARM LOGIC	ALLO	dir	If this parameter is set as 'Direct', Relay/SSR energizes under Alarm condition & remains De-energized otherwise. 'Direct' setting is generally used for Audio/Visual Alarm Output.	DIRECT
		rEu	If this parameter is set as 'Reverse', Relay/SSR de-energizes under Alarm condition & remains energized otherwise. 'Reverse' setting is generally used for tripping the process under Alarm conditions.	
ALARM INHIBIT	AL.IH	YES	If this parameter is set to 'YES' & Alarm condition persists, it will Disable Alarm O/P at power ON.	NO
		NO	If this parameter is set to 'NO' & Alarm condition persists, it will Enable Alarm O/P at power up.	
ALARM ACK.	AL.AP	AUTO	Once the Alarm is activated, User has following three options to de-activate it. When PV falls within the programmed limits The Alarm will be de-activated automatically.	AUTO
		MANU	Once the alarm is activated, it remains activated until acknowledged manually by UP key.	
		...	Once the alarm is activated, it can be de-activated either by pressing UP key or	

## USER GUIDE:

### 1) ON-OFF ACTION :-

In this mode, Output (Relay/SSR) remains ON till actual temperature reaches to the Set point value. On reaching to SP, Output turns OFF & remains OFF till actual temperature drops down (in Heat Logic) or raises (in Cool Logic) equal to hysteresis set by user. (As shown in Fig. 3.1 & 3.2).

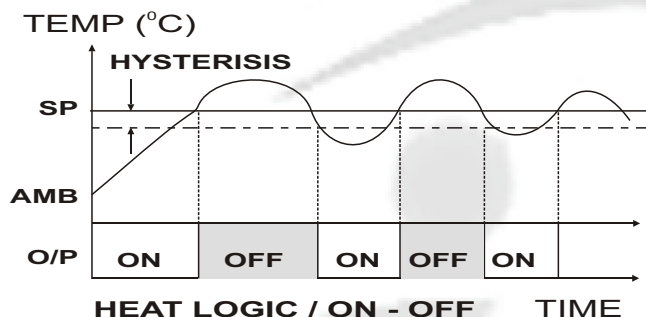


Fig: 3.1

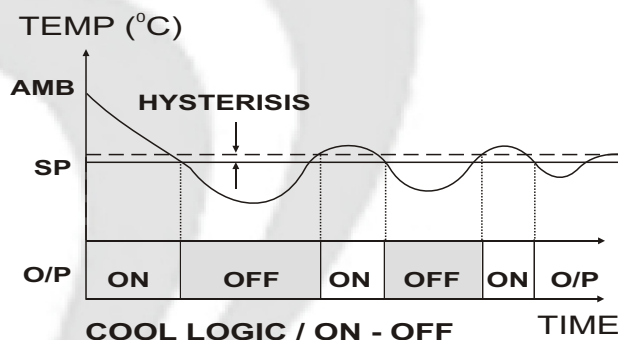


Fig: 3.2

### 2) TIME PROPORTIONAL ACTION :-

In this mode, ON & OFF time of Output (Relay/SSR) varies proportionally in every cycle (cycle time settable by User), depending on the deviation of PV w.r.t. SP. This action starts /continues only when PV enters or is within band.

(As shown in Fig : 3.3)

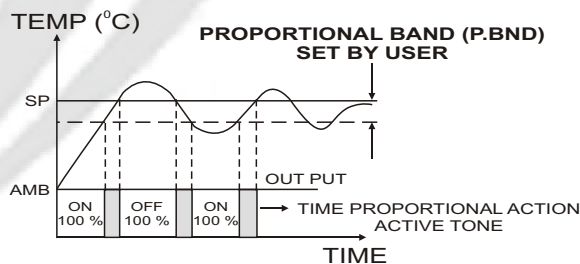


Fig: 3.3

### 3) MANUAL RESET (OFFSET ADJUSTMENT) :-

In some application, after adopting-Time proportionating action system may stabilize at particular temperature over a period of time which can be different than the set value. This steady state (error) offset can be eliminated by setting this value equal and opposite to the existing offset. (As shown in Fig.3.4)

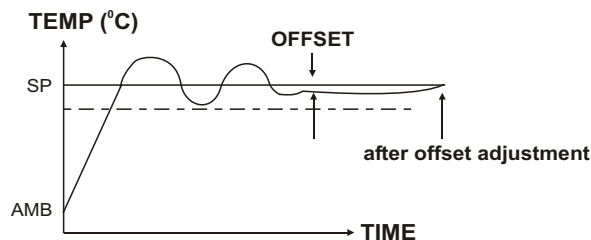


Fig: 3.4

<b>ABBREVIATION</b>	C.A. : Control Action	NC : Normally Close terminal of relay	SP : Set Point Value(set temp.)
	CJC : Cold junction compensation	NO : Normally Open terminal of relay	SSR : Solid State Relay
	CM : Common terminal of relay	OP1 : Output 1	T.P. : Time Proportional
	EMI : Electro magnetic interference	OP2 : Output 2	T/C : Thermocouple
	LWC : Lead wire (Length) Compensation	PV : Process Value (actual temp.)	



**Mfgd by: Innovative Instruments**  
Precision unrivalled

338, New Sonal Link Service Ind. Est. no.2 , Link Road, Malad (W), Mumbai - 400064.  
Tel: 022-66939916/17. Fax: 022-66939918  
E-mail:sales@innovativeinstruments.co.in ; Website: innovativeinstruments.co.in