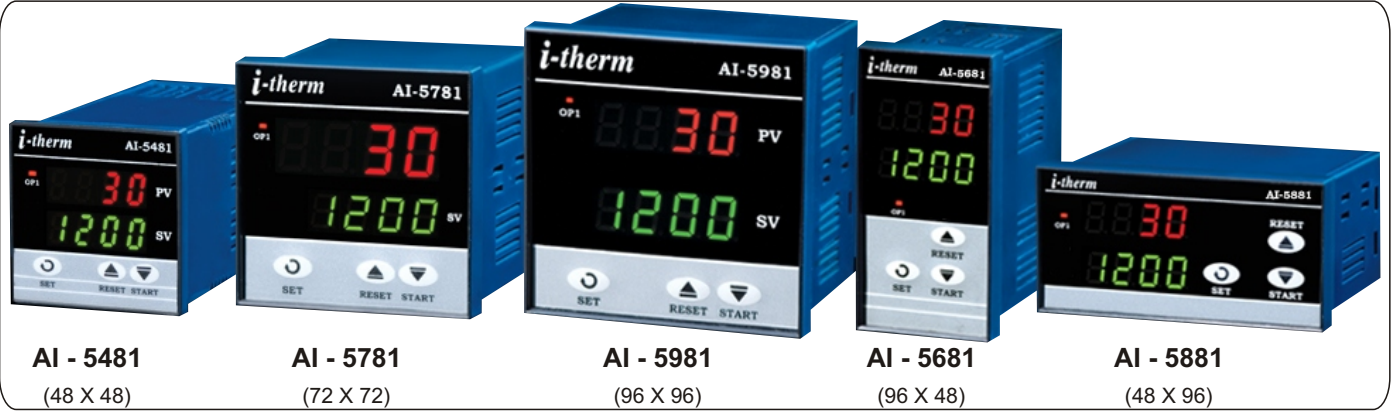


# USER'S OPERATING MANUAL FOR DIGITAL TEMPERATURE CONTROLLER

(Models: AI 5481 / 5881 / 5781 / 5981 / 5681)



**AI - 5481**  
(48 X 48)

**AI - 5781**  
(72 X 72)

**AI - 5981**  
(96 X 96)

**AI - 5681**  
(96 X 48)

**AI - 5881**  
(48 X 96)

## SPECIFICATIONS : -

1. **DISPLAY TYPE** : Dual 4- Digit 7 segment LED  
4 Digit Bright Red (PV)  
4 Digit Luminous Red (SV)

Model no.	AI-5481	AI-5881	AI-5781	AI-5681	AI-5981
Display height (PV)	0.28"	0.39"	0.56"	0.39"	0.56"
Display height (SV)	0.28"	0.39"	0.39"	0.39"	0.56"

**STATUS LED'S** : OP 1 : Main Control Output

## 2. INPUT

Sensor Input : TC:J/K/R/S & RTD: Pt-100  
Range : Refer below table

Sensor Type	Range	Resolution	Accuracy
Fe-k(J) T/C	0 ~ 760°C	1 °C	± 1 °C
Cr-AL(K) T/C	-99 ~ 1300°C	1 °C	
(R) T/C	0 ~ 1700°C	1 °C	
(S) T/C	0 ~ 1700°C	1 °C	
Pt-100(RTD)	-100 ~ 450°C	1 °C	
Pt-100(RTD 0.1)	-99.9 ~ 450.0°C	0.1 °C	± 0.3 °C

Sampling Time : 125 msec.  
Resolution : 1°C/0.1°C(Only for RTD)  
CJC for TC : Built in automatic  
LWC for Pt-100 : Built in up to 18E max.  
Digital Filter : 1 to 10 Sec.

## 3. RELAY OUTPUT

Contact type : N/O, CM, N/C  
Contact Rating : 5A @ 250VAC or 30 VDC  
Life expectancy : > 5,00,000 operations  
Isolation : Inherent

## 4. SSR DRIVE OUTPUT

Drive Capacity : 12V @ 30mA.  
Isolation : Non-Isolated.

## 5. FUNCTION

Output 1 : Main Control output  
Control Action : ON-OFF/T.P (Select)  
Control Mode : Heat/Cool (Select)  
Compliance : ----

## 6. ENVIRONMENTAL

Operating Range : 0 ~ 50°C, 5~90% Rh  
Storage Humidity : 95% Rh (Non-condensing)

## 7. POWER SUPPLY

Supply Voltage : 90~270VAC, 50/60Hz.  
Consumption : 4W Maximum.

## 8. PHYSICAL

Housing : ABS Plastic.

Model no.	AI-5481	AI-5881	AI-5781	AI-5681	AI-5981
Weight (gms.)	130	200	200	200	240

## SAFETY INSTRUCTION :

This controller is meant for temperature control applications. It is important to read the manual prior to installing or commissioning of controller. All safety related instruction appearing in this manual must be followed to ensure safety of the operating personnel as well as the instrument.

## GENERAL

- ❖ The controller must be configured correctly for intended operation. Incorrect configuration could result in damage to the equipment or the process under control or it may lead personnel injury.
- ❖ The controller is generally part of control panel and in such a case the terminals should not remain accessible to the user after installation.

## MECHANICAL

- ❖ The Controller in its installed state must not come in close proximity to any corrosive/combustible gases, caustic vapors, oils, steam or any other process by-products.
- ❖ The Controller in its installed state should not be exposed to carbon dust, salt air, direct sunlight or radiant heat.
- ❖ Ambient temperature and relative humidity surrounding the controller must not exceed the maximum specified limit for proper operation of the controller.
- ❖ The controller in its installed state must be protected against excessive electrostatic or electromagnetic interferences. Ventilation holes provided on the chassis of the instrument are meant for thermal dissipation hence should not be obstructed in the panel.

## ELECTRICAL

- ❖ The controller must be wired as per wiring diagram & it must comply with local electrical regulation.
- ❖ Care must be taken not to connect AC supplies to low voltage sensor input.
- ❖ Circuit breaker or mains s/w with fuse (275V/1A) must be installed between power supply and supply terminals to protect the controller from any possible damage due to high voltage surges of extended duration.
- ❖ Circuit breaker and appropriate fuses must be used for driving high voltage loads to protect the controller from any possible damage due to short circuit on loads.
- ❖ To minimize pickup of electrical noise, the wiring for low voltage DC and sensor input must be routed away from high current power cables. Where it is impractical to do this, use shielded ground at both ends.
- ❖ The controller should not be wired to a 3-Phase supply with unearthed star connection. Under fault condition such supply could rise above 264 VAC which will damage the controller.
- ❖ The Electrical noise generated by switching inductive loads might create momentary Fluctuation in display, alarm latch up, data loss or permanent damage to the instrument. To reduce this use snubber circuit across the load.
- ❖ It is essential to install a over Temp. Protection device to avoid any failure of heating system. Apart from spoiling the Product, this could damage the process being controlled.

**⚠ CAUTION:** To prevent the risk of electrical shock, switch off the power before making/removing any connection or removing the controller from its enclosure.

## MECHANICAL INSTALLATION

The label on the controller identifies the serial number, wiring connections and batch number.

### OVER ALL DIMENSIONS & PANEL CUT OUT (IN MM)

MODEL:-AI-5481/5781/5981

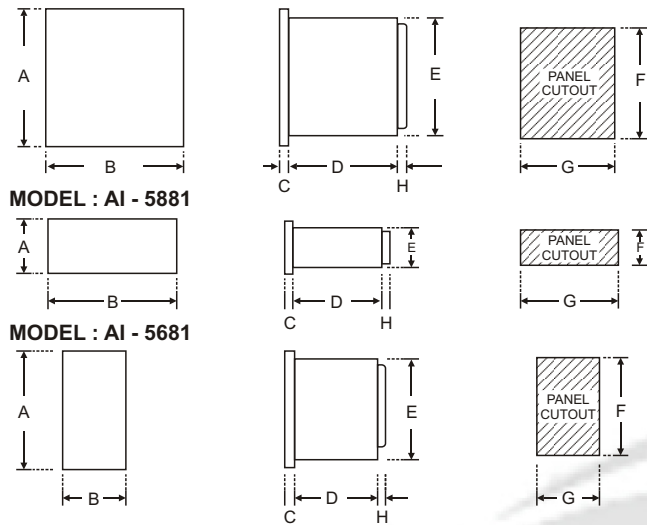


TABLE : 1

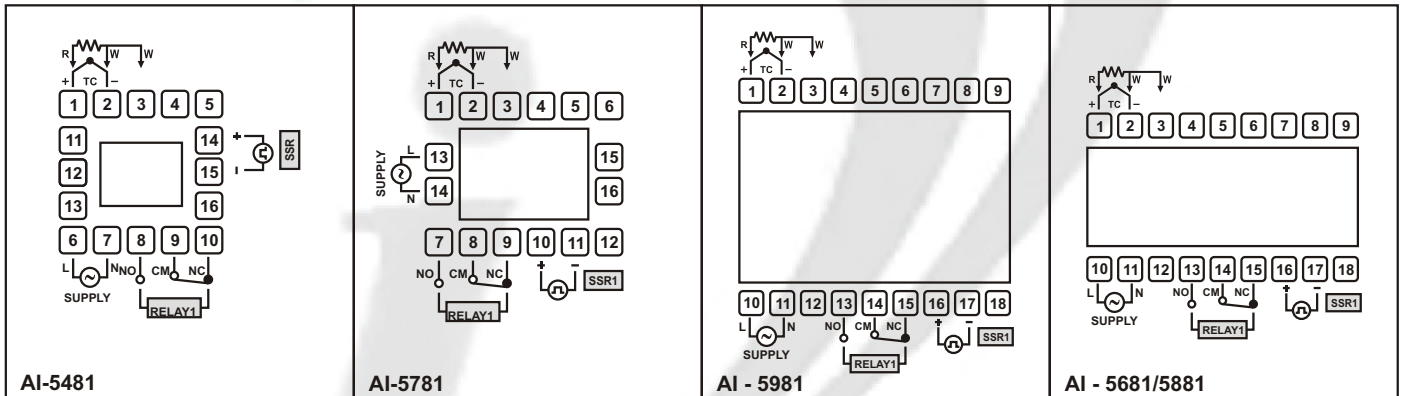
Dim Model	A	B	C	D	E	F	G	H
AI-5481	48	48	8	110	43	44	44	9
AI-5781	72	72	10	65	66	68	68	9
AI-5981	96	96	10	65	89	92	92	9
AI-5881	48	96	10	110	43	44	92	9
AI-5681	96	48	10	110	89	92	44	9

## INSTALLATION GUIDELINES

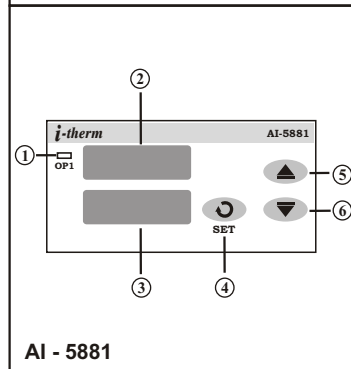
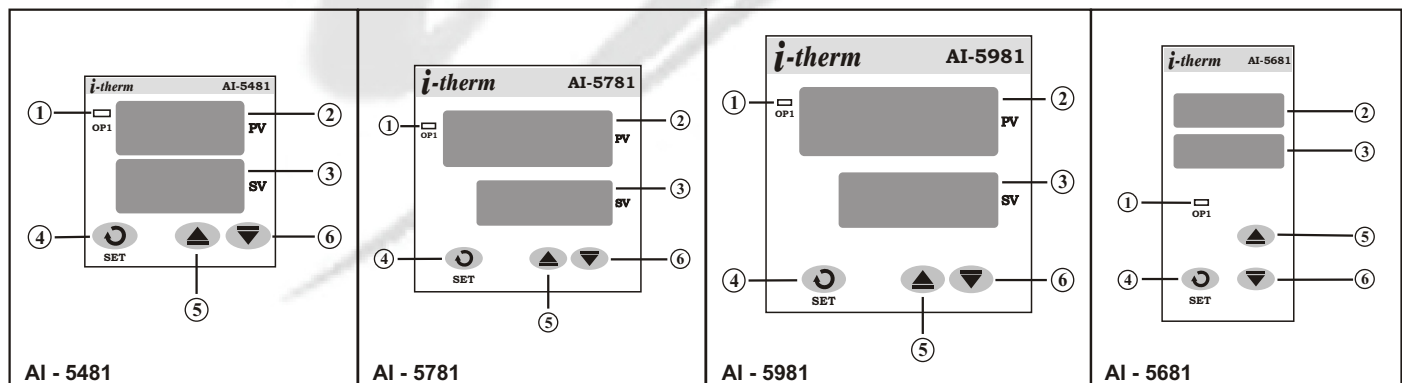
1. Prepare the cut-out with proper dimension as shown in figure.
2. Remove clamp from controller
3. Push the controller through panel cut-out and secure the controller in its place by tightening the side clamp.

## ELECTRICAL INSTALLATION

The electrical connection diagram is shown on the controller enclosure as below.



## FRONT PANEL LAYOUT



NO.	NAME	FUNCTION
1	OP1 LED	Glows when OP1 is ON & flashes when delay time (dly1) is in operation & selected mode is ON-OFF.
2	UPPER DISPLAY	It will display : (1) Measured value of selected input or Error messages in run mode. (2) Parameters Value in program mode.
3	LOWER DISPLAY	It will display : (1) SP1 (Main set point) / SP2 (Auxiliary) set value / Set Soak time value/ balance or elapsed soak time in run mode. (2) Parameter code in program mode.
4	SET KEY	(1) For SP programming. (2) To access Control mode. (3) To access Configuration mode alongwith UP key. (4) To scroll the parameter & to store its value.
5	UP KEY	(1) To increase/alter parameter value in program mode. (2) To Enter in configuration mode (alongwith SET key) . (3) To acknowledge Alarm. (4) To enter in tune mode (alongwith DOWN Key).
6	DOWN KEY	(1) To decrease / alter parameter value in program mode. (2) To enter in tune mode (alongwith UP Key). (3) To start Soak timer.

## POWER UP :

At power on, following sequence will be prompted on the display for 1 sec. till it reaches to Home Display mode.



In home display mode, by pressing SET key once, user can view SP value.

## PROGRAMMING :

**USER LIST :** To access the user list press SET key once.

PARAMETER	LOWER DISPLAY	UPPER DISPLAY	RANGE	DESCRIPTION	DEFAULT
CONTROL SET POINT	SP	0	LSPL ~ HSPL	User can change SP1 value using UP/ DOWN keys. Holding the key, will change the value at a faster rate. Press SET key to store the value & move on to the next parameter.	0°C

**CONTROL LIST :** To enter in this mode press SET & DOWN key simultaneously for 3 sec. User can set the control parameters as shown below.

PARAMETER	LOWER DISPLAY	UPPER DISPLAY	RANGE	DESCRIPTION	DEFAULT
LOCK CODE	LOCK	0	1 ~ 9999	Set this parameter to 15 (Default LOCK CODE) to access Control List. User has a choice to set different Lock Code via USER LOCK CODE in Config. List.	0
PROPORTIONAL BAND	Pb	5.0	0.5 to 99.9°C	This parameter will be prompted only if selected control action is PID. It sets bandwidth over which the output power is adjusted depending upon the error (SV-PV). The value of this parameter is automatically set by Auto tune function.	5.0°C
CYCLE TIME	CYCL	16.0	0.5 to 100.0 Sec.	This parameter will be prompted only if selected control action is PID. User can set this value based on process being controlled & type of output being selected. For Relay O/P, cycle time should be more than 12sec & for SSR O/P, cycle time should be less than 10sec.	16.0 Sec.
CONTROL HYS.	HY1	0	1 to 25 °C	This parameter will be prompted only if selected control action is ON-OFF. It sets the dead band between ON & OFF switching of the output. Larger value of hysteresis minimize the number of ON-OFF operation to the load. This increases life of actuators like contactors but, also produces large errors (between PV & SV)	2°C
DELAY 1	dLY1	0	0 to 500 Sec.	This parameter will be prompted only if selected control action is ON-OFF. It sets the main output restart time where O/P once turned OFF will turn ON only after restart time, regardless difference between PV & SP in Heat or Cool mode. If set to '0', O/P will be switched without delay. Also, Delay will be applicable in case of every power ON.	120 Sec.
MANUAL OFF SET	SPOF	0	-25 to 25 °C	This parameter will appear only if selected C.A is time proportional. (For more details: refer user guide.)	0 °C

## CONFIGURATION LIST :

- (1) To enter in this mode, Press and hold SET & UP key simultaneously for 3 sec.
- (2) Press UP or DOWN key to scroll between parameter options.
- (3) Press SET key to store the current parameter & move on to the next parameter.

PARAMETER	LOWER DISPLAY	UPPER DISPLAY	DESCRIPTION	DEFAULT																							
LOCK CODE	LOCK	0	Set this parameter to 15 (Default LOCK CODE) to access Config. List. User has a choice to set different Lock Code via USER LOCK CODE in Config. List.	0																							
INPUT TYPE	InPt	tC-J	This parameter value is set according to the type of sensor (Thermocouple or RTD Input) connected to the Controller's Input Terminals.	J																							
		tC-P																									
		tC-r																									
		tC-S																									
		rtd																									
		rtd.1																									
		rtd.i																									
		<table border="1"> <thead> <tr> <th>Sensor Type</th> <th>Range</th> <th>Resolution</th> <th>Accuracy</th> </tr> </thead> <tbody> <tr> <td>Fe-k(J) T/C</td> <td>0 ~ 760°C</td> <td>1 °C</td> <td rowspan="4">± 1 °C</td> </tr> <tr> <td>Cr-AL(K) T/C</td> <td>-99 ~ 1300°C</td> <td>1 °C</td> </tr> <tr> <td>(R) T/C</td> <td>0 ~ 1700°C</td> <td>1 °C</td> </tr> <tr> <td>(S) T/C</td> <td>0 ~ 1700°C</td> <td>1 °C</td> </tr> <tr> <td>Pt-100(RTD)</td> <td>-100 ~ 450°C</td> <td>1 °C</td> <td rowspan="2">± 0.3 °C</td> </tr> <tr> <td>Pt-100(RTD 0.1)</td> <td>-99.9 ~ 450.0°C</td> <td>0.1 °C</td> </tr> </tbody> </table>	Sensor Type	Range	Resolution	Accuracy	Fe-k(J) T/C	0 ~ 760°C	1 °C	± 1 °C	Cr-AL(K) T/C	-99 ~ 1300°C	1 °C	(R) T/C	0 ~ 1700°C	1 °C	(S) T/C	0 ~ 1700°C	1 °C	Pt-100(RTD)	-100 ~ 450°C	1 °C	± 0.3 °C	Pt-100(RTD 0.1)	-99.9 ~ 450.0°C	0.1 °C	
Sensor Type	Range	Resolution	Accuracy																								
Fe-k(J) T/C	0 ~ 760°C	1 °C	± 1 °C																								
Cr-AL(K) T/C	-99 ~ 1300°C	1 °C																									
(R) T/C	0 ~ 1700°C	1 °C																									
(S) T/C	0 ~ 1700°C	1 °C																									
Pt-100(RTD)	-100 ~ 450°C	1 °C	± 0.3 °C																								
Pt-100(RTD 0.1)	-99.9 ~ 450.0°C	0.1 °C																									

PARAMETER	LOWER DISPLAY	UPPER DISPLAY	DESCRIPTION	DEFAULT
LOWER SP LIMIT	LSPL	0	Sets the minimum limit for set point adjustment. It can be set from minimum specified range of selected sensor to HSPL value.	0 °C
HIGHER SP LIMIT	HSPL	400	Sets the maximum limit for set point adjustment. It can be set from LSPL value to maximum specified range of selected sensor.	400 °C
PROCESS VALUE OFFSET	OFSt	0	Function of this parameter is to add/subtract a constant value to the measured PV to obtain Final PV for control applications. This parameter value needs to be altered for one of the following reason : - (i) To compensate for known thermal gradient (ii) To match the display values with another recorder or indicator measuring the same PV.	0 °C
INPUT FILTER	FLtr	1	The controller is equipped with an adaptive digital filter which is used to filter out any extraneous pulses on the PV. Filtered PV Value is used for all PV dependent functions. If PV signal is fluctuating due to noise, increase the filter time constant value.	1 °C
CONTROL MODE FOR O/P 1	mode	TP ↓ ↑ ONOFF	User can select between TP or ON-OFF action algorithm to be adopted for output.	PID
CONTROL LOGIC FOR O/P 1	OP.L	HEAT ↓ ↑	This parameter will appear only if selected control mode is ON-OFF. User can select heating logic in which OP1 will remain ON till PV < SP. (PV increases when output is ON.)	HEAT
		COOL ↓ ↑	This parameter will appear only if selected control mode is ON-OFF. User can select cooling logic in which OP1 will remain ON till PV > SP. (PV decreases when output is ON.)	
OUTPUT TYPE	OPty	RLY ↓ ↑	User has to set this parameter very carefully in accordance with the output used. (Separate terminals for RELAY & SSR : - Refer Electrical Installation) Select Relay if LOAD is connected via contactor. Whenever user selects Relay, Cycle time will be automatically set to 16 sec. User can modify cycle time via control list.	RELAY
		SSr	Select SSR if LOAD is connected via SSR (DC voltage pulses). Whenever user selects SSR, Cycle time will be automatically set to 1sec. User can modify cycle time via control list.	
SET POINT 1	SP	EnbL ↓ ↑	If Enabled, User can View & edit the Set point (SP1) in USER list.	Enable
		dsbL ↓ ↑	If disabled, User can only View the Set Point (SP1) but Can not edit it in USER list.	
USER LOCK CODE	ULOC	15	Default USER LOCK CODE is 15 to access Control & Configuration List. User has a choice to set its own USER LOCK CODE between 1 to 9999, this is to prevent unauthorized access of Control & Configuration List.	15

### USER GUIDE:

#### 1) ON-OFF ACTION:

In this mode, output (Relay/SSR) remains ON till actual temperature reaches to the set point. On reaching SP, output turns OFF & remains OFF till actual temperature drops down (in heat logic) or raises (in cool logic) equal to hysteresis set by user. (As shown in Fig : 3.1 & 3.2)

TEMP (°C)

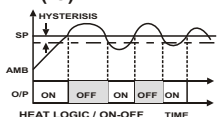


Fig: 3.1

TEMP (°C)

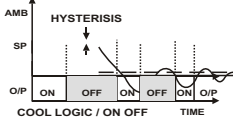


Fig: 3.2

#### 2) TIME PROPORTIONAL ACTION:

In this mode, ON & OFF time of Output (Relay/SSR) varies proportionally in every cycle (cycle time settable by User) depending on the deviation of PV w.r.t. SP. This action starts/continues only when PV enters or is within the band. (As shown in Fig : 3.3)

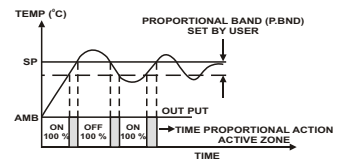


Fig: 3.3

#### 3) MANUAL RESET

(OFFSET ADJUSTMENT) : In some application, after adopting-Time proportionating action, system may stabilize at particular temperature over a period of time which can be different than the set value. This steady state (error) offset can be eliminated by setting this value, equal and opposite to the existing offset. (As shown in Fig : 3.4)

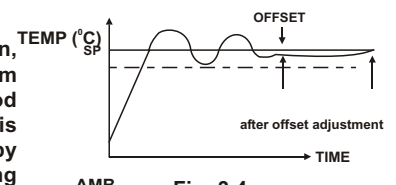


Fig: 3.4

### ABBREVIATION

C.A. : Control Action	NC : Normally Close terminal of relay	SP : Set Point Value(set temp.)
CJC : Cold junction compensation	NO : Normally Open terminal of relay	SSR : Solid State Relay
CM : Common terminal of relay	OP1 : Output 1	T.P. : Time Proportional
LWC : Lead wire (Length) compensation	PV : Process Value (actual temp.)	T/C : Thermocouple



**Mfgd by: Innovative Instruments**  
Precision unrivalled

338, New Sonal Link Service Ind. Est. no.2 , Link Road, Malad (W), Mumbai - 400064.  
Tel: 022-66939916/17. Fax: 022-66939918  
E-mail:sales@innovativeinstruments.co.in ; Website: innovativeinstruments.co.in