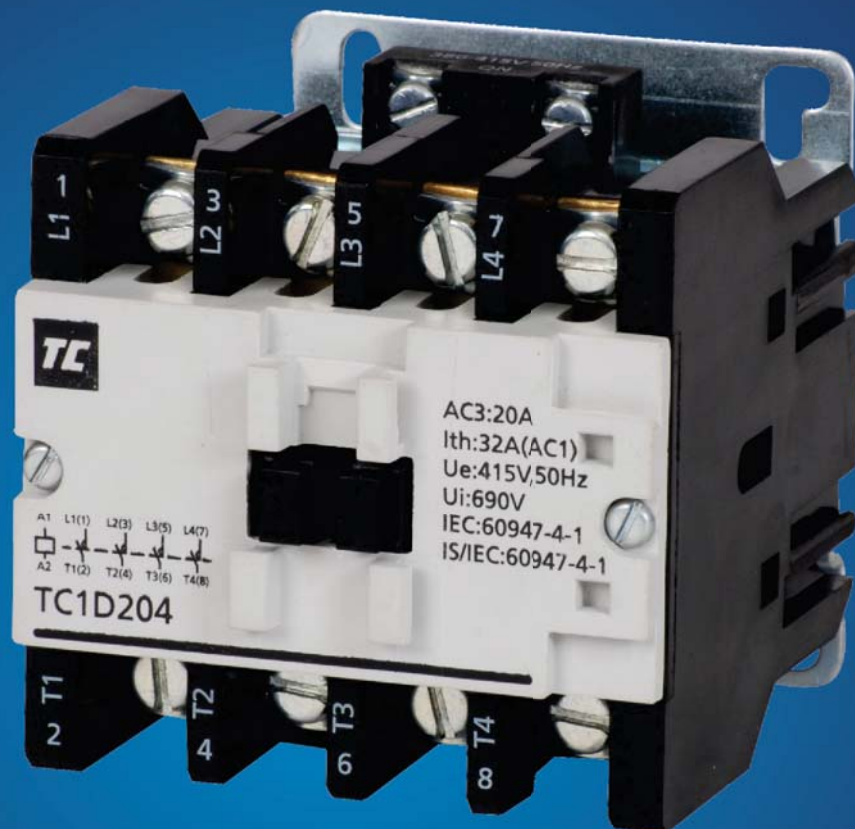


We touch your **electricity** everyday!

**TC1 - DX**



# 4 Pole Contactor TC1 - DX

4 Pole Contactor type TC1-DX has been engineered for superior performance under arduous Indian tropical conditions, conforming to IEC 60947-4-1; IS 13947-4-1. It's robust construction with heavy duty silver alloy contacts, encapsulated coil to withstand wide voltage fluctuations delivers long life. Contactor is ideally suitable for stand alone applications such as welding, compressor & pump control etc.

## Feature, Advantage & Benefits

### Robust construction: Superior Performance

- Thick inter-phase moulding walls with liberal clearance & creepage minimises phase to phase shorting risk, assures safety & durability
- Encapsulated H class magnet coil withstand wide voltage range
- Provision of pole spring locator for ease of moving contact positioning in contact carrier

### Long Life

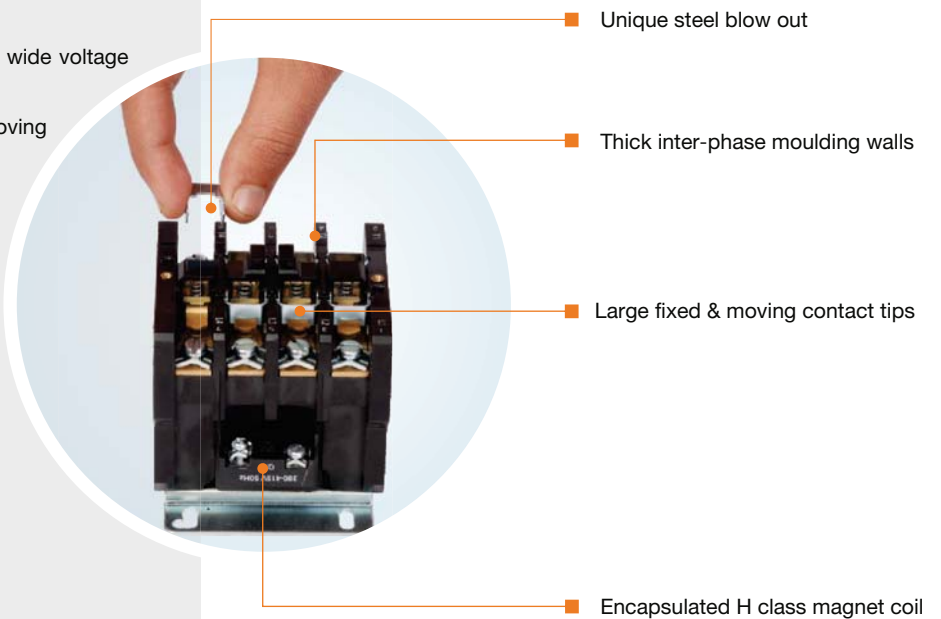
- Unique steel Blow-Out design ensures quick arc quenching for long electrical endurance
- Fixed/Moving contacts with large dia silver alloy tips ensures operational longevity

### Easy Maintenance

- Field replaceable Fixed / Moving contacts
- Easy coil replacement, when required

### User Friendly

- Front & side mounted Add-On block options
- Provision of Mechanical Interlock facility
- Large terminal capacity



## Easy Maintenance

- Heavy Duty 4 Pole contactor affords extremely easy maintenance
- Moving contact can be inspected / replaced, if required, easily without any tool
- Fixed contact are also replaceable with ease when required
- Easy coil replacement
- Contactor maintenance requires low down time



Facile top cover opening



Easy access to blow-out & moving contact



Effortless removal of moving contacts

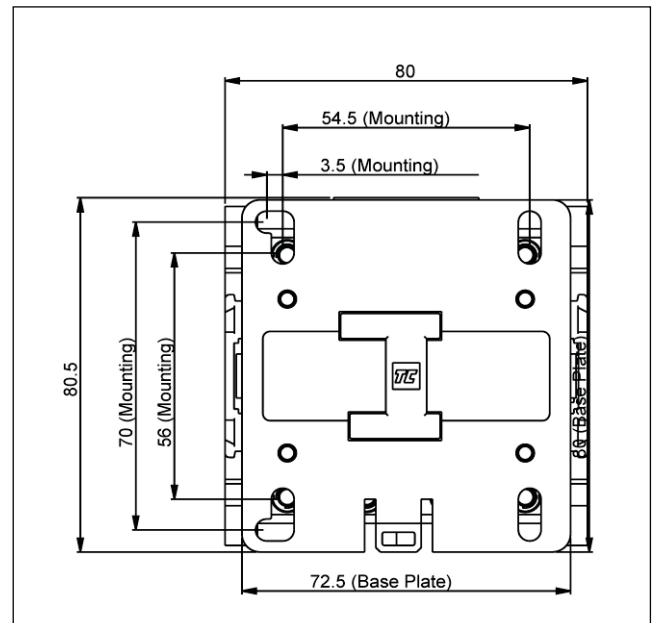
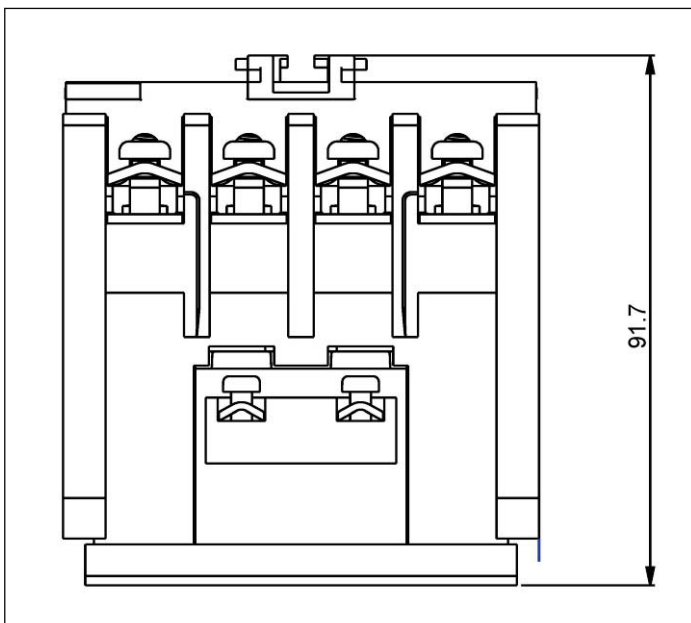


Fixed & moving contact-easy inspection and replacement

## Technical specifications

Power Pole	4 NO	
Contacteur type	TCI-D204	TCI-D254
Thermal Current Ith (Amps)	32A	40A
Current Rating AC3 Duty, 415VAC	20A	25A
Power Rating at 415VAC, kW/HP	9/12.5	11/15
Rated Operational Voltage (Ue) 50Hz	415V	
Insulation Voltage AC (Ui)	690 V	
Ambient Temperature	- 5 °C to +55 °C	
Max. Frequency of Operation (AC3)	600 Operations/Hour	
Electrical Life	1 Million Operations	
Mechanical Life	5 Million Operations	
Terminal Capacity	1x16 mm <sup>2</sup> , 2x10 mm <sup>2</sup>	
Add -On -Auxiliary Contact	Top & Side mounted	
Auxiliary Contact configuration	Upto 4 auxillary contacts	
Coil Voltage Operating Range	60% to 110% of Rated Voltage.	
Coil Voltage 50Hz AC	110V, 220V, 380V, 415V	
Contacteur Mounting	Individual Mounting	
Mechanical Interlock	Common for all rating	
Pick up	60% max. of rated voltage	
Drop out	30% to 40% of rated voltage	
Coil consumption VA	Sealed VA < 20VA	
Coil insulation class	H class	
Type of coil	Encapsulated	

## Dimensional Drawing



www.cselectric.co.in

## 4 Pole Contactor TC1 - DX

### State of the art Manufacturing Facilities



Haridwar, Noida Ph-I  
& Noida Ph-II Plant

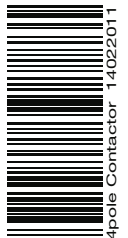


### C&S Electric Limited

**Corporate Office :** 222, Okhla Industrial Estate, Phase-III, New Delhi - 110 020  
**Tel.:** +91-11-3088 7520 - 29, **Fax:** +91-11-2684 7154, 2682 9063

**Central Marketing Office:** Tel.: +91-11-3088 7520-29, Fax: +91-11-2684 8241, 2684 7342  
**email:** cmo@cselectric.co.in, info@cselectric.co.in

**International Business Division:** Tel.: +91-11-4161 3503, 3088 7520-29, Fax: +91-11-2683 8291, 2684 7342  
**email :** exports@cselectric.co.in



We touch your electricity everyday!