



SD25D3
50°C IP65 CE



ELCL CS
25A 415V

www.cselectric.co.in

Enclosed Switches
Aluminium Alloy Enclosure



C&S Electric Ltd.

Corporate Office : 222, Okhla Industrial Estate, New Delhi - 110 020
Tel. : +91-11-3088 7520 - 29, **Fax:** +91-11-2684 7154, 2682 9063

International Business Division: Tel. : +91-11-4161 3503, 3088 7520-29, **Fax:** +91-11-2683 8291, 2684 7342
email : exports@cselectric.co.in

Central Marketing Office: Tel. : +91-11-3088 7520-29, **Fax:** +91-11-2684 8241, 2684 7342
email : cmo@cselectric.co.in, info@cselectric.co.in



Switches in Aluminium Alloy Enclosure

Salient Features

- General rating use 16A-125A, 415V, 50° C
- Motor starting upto 45KW (AC23, 690V as per IEC 60947-3), 60HP, 600V (UL 508)
- 3P+N+E / 4P+N+E
- Two Earthing points have been provided (near top & bottom glands) to simplify the earthing wiring.
- Protection degree upto IP65*
- Threaded cable entries with sealing plug (having knockout with sealing provision for cables) provided.
- Padlocking facility in OFF position for extra safety
- Suitable for indoor and outdoor applications
- Available with 2 colours options of handles Black/Red-Yellow

* To achieve IP65 protection, additional compression glands to be used.

Standard supply -with dummy glands only.

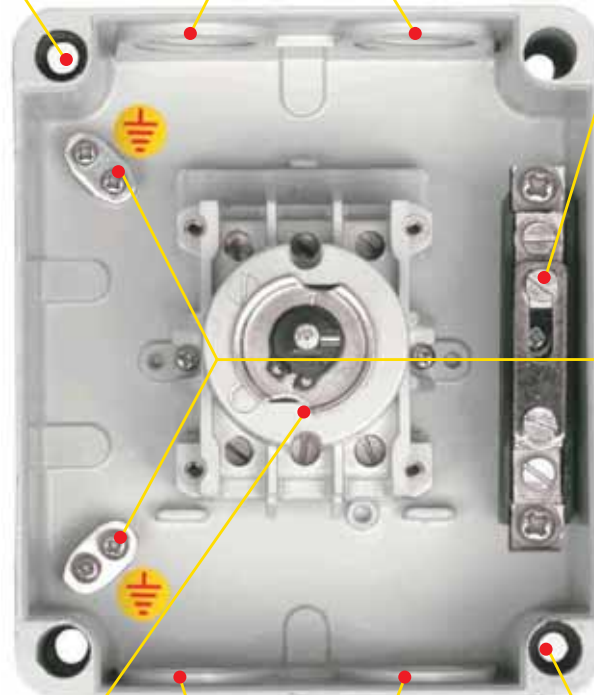
Technical Characteristics

| Catalogue Reference | | ELCL CSSD / ELBL CSSD | | | | | | | | |
|---|----------|-----------------------|----------|----------|----------|-----------|-----------|-----------|----------|-------|
| | | 3P | 16D3 | 25D3 | 30D3 | 40D3 | 63K3 | 80D3 | 100D3 | 125D3 |
| | | 4P | 16D4 | 25D4 | 30D4 | 40D4 | 63K4 | 80D4 | | |
| Rating (3/4 Poles) | A | 16 | 25 | 30 | 40 | 63 | 80 | 100 | 125 | |
| Thermal Current (40°C) | A | 16 | 25 | 30 | 40 | 63 | 80 | 100 | 125 | |
| Rated Insulation Voltage (Ui) | V | 690 | 690 | 690 | 690 | 690 | 690 | 690 | 690 | |
| Rated Imp. Withstand Voltage (Uimp) | KV | 8 | 8 | 8 | 8 | 8 | 8 | 8 | 8 | |
| Operational Current | A | | | | | | | | | |
| 415V AC | AC21-22A | 16 | 25 | 30 | 40 | 63 | 80 | 100 | 125 | |
| | AC23A | 16 | 25 | 30 | 40 | 45 | 55 | 80 | 90 | |
| 500V AC | AC21-22A | 16 | 25 | 30 | 40 | 63 | 80 | 100 | 125 | |
| | AC23A | 16 | 20 | 25 | 25 | 45 | 32 | 60 | 70 | |
| 690V AC | AC21-22A | 16 | 25 | 30 | 40 | | | | | |
| | AC 23A | 16 | 20 | 25 | 25 | 20 | 20 | 40 | 50 | |
| Motor Power | KW | | | | | | | | | |
| 415V AC | AC23 | 5.5 | 7.5 | 13 | 17 | 22 | 30 | 37 | 45 | |
| 500V AC | AC23 | 7.5 | 9 | 15 | 15 | 22 | 18.5 | 37 | 45 | |
| 690V AC | AC23 | 9 | 11 | 15 | 15 | 15 | 15 | 37 | 45 | |
| Short Circuit Current with fuses | kArms | 50 | 50 | 50 | 50 | 50 | 50 | 50 | 50 | |
| Max. rating for associated fuses | A | 16 | 25 | 30 | 40 | 80 | 100 | 125 | 125 | |
| Cut off current | kAp | 4.5 | 4.5 | 5 | 5 | 13 | 13 | 16.5 | 16.5 | |
| Short Time withstand Current for 1 sec. | kA | 0.9 | 0.9 | 1 | 1 | 1 | 1.5 | 1.5 | 2.5 | |
| Mechanical Endurance | Nos. | 20000 | 20000 | 20000 | 20000 | 20000 | 20000 | 20000 | 20000 | |
| Connection CU | Sq.mm | 1.5 to 6 | 1.5 to 6 | 1.5 to 6 | 1.5 to 6 | 1.5 to 35 | 1.5 to 35 | .5 to 1.5 | 10 to 70 | |

Hole for Mounting

M 25 x 1.5

Neutral Link



Earthing Link

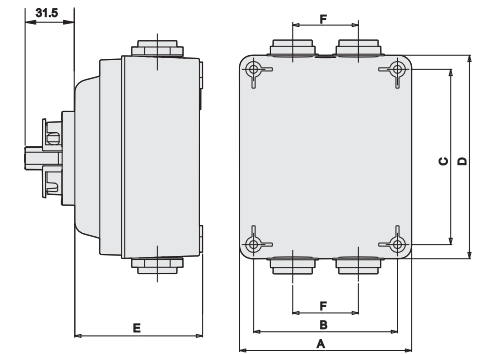
Switch Disconnecter (CSSD Type)

M 25 x 1.5

Hole for Mounting



Dimensional Drawings



| | CSSD16D3/D4 - CSSD40D3/D4 | CSSD63K3/K4 - 125D3 |
|---|---------------------------|---------------------|
| A | 110 | 147 |
| B | 92 | 123 |
| C | 112 | 179 |
| D | 130 | 203 |
| E | 82 | 94 |
| F | 42 | 42 |

Dimensions are in mm.

Switches used to disconnect incase of Fire

3P+N+E switches in Aluminium Alloy enclosure, painted in red colour, are used to disconnect in case of Fire.
- available with proper label (STOP FIRE) in yellow colour for clear visibility.
Rating available 25A (ELRCSSD25D3)* and 40A (ELRCSSD40D3)*
- Must for firemen.

* For technical specifications please refer ELCL/ELBL CSSD25D3/40D3 switches.

Assembly

